

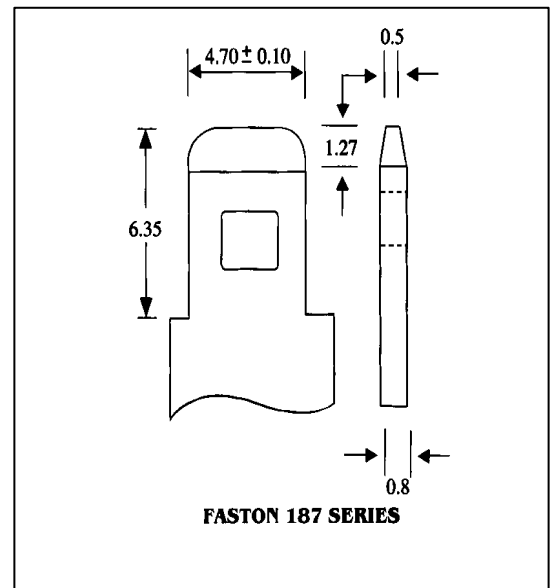
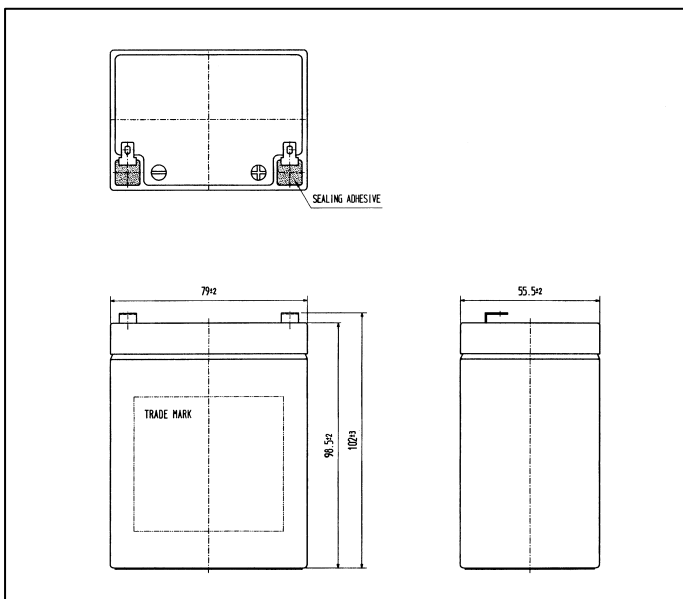
ROCKET **ES** BATTERY

MODEL :
ES2.9-12



PHYSICAL SPECIFICATIONS

Nominal Voltage		12V
Nominal Capacity(20HR)		2.9Ah
Dimensions	Length	79+/-2mm(3.11inches)
	Width	55.5+/-2mm(2.19inches)
	Height	98.5+/-2mm(3.88inches)
	Total Height	102+/-3mm(4.02inches)
Weight		Approx. 1.1 kg(2.43 lbs)
Standard Terminal		FASTON 187 SERIES



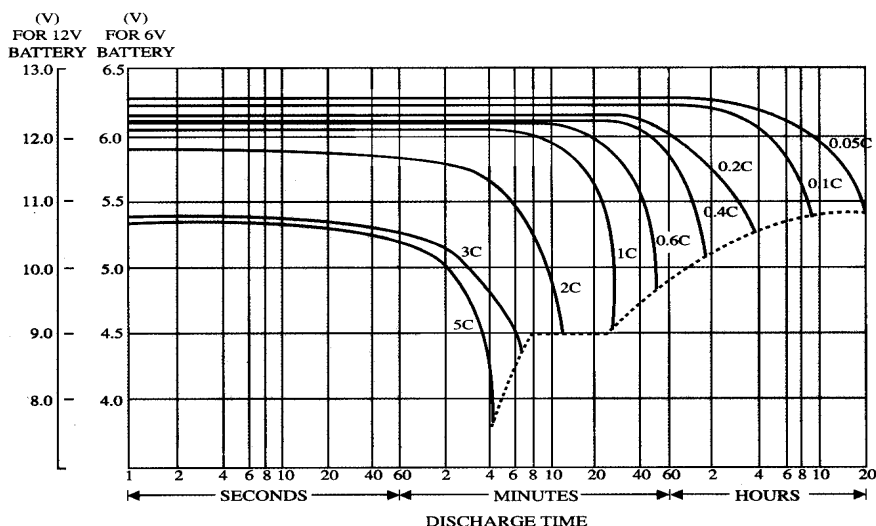
(12V2.9Ah)

Global & Yuasa Battery Co., Ltd.

ELECTRICAL SPECIFICATIONS

Capacity	20 hour rate(1.45A)	2.9Ah	Max. Discharge Current(5sec.)	43.5A		
	10 hour rate(0.27A)	2.7Ah		Cycle	Initial Charging Current less than 0.725A	
	5 hour rate(0.50A)	2.5Ah			Voltage 14.40 ~15.00V at 25°C(77°F)	
	1 hour rate(1.70A)	1.7Ah		Temp. Coefficient :-4mV/°C/cell		
Capacity affected by temperature	40°C(104°F)	105%	Constant-Voltage Charge	Standby	Initial Charging Current less than 0.725A	
	25°C(77°F)	100%			Voltage 13.50 ~13.80V at 25°C(77°F)	
	0°C(32°F)	85%			Temp. Coefficient :-3mV/°C/cell	
Internal Resistance Fully charged battery (25°C, 77°F)			Aprox. 50mΩ			

DISCHARGE CHARACTERISTICS AT 25°C(77°F)



TEMPERATURE EFFECTS IN RELATION TO BATTERY CAPACITY

