

ROCKET **ES** BATTERY

MODEL :

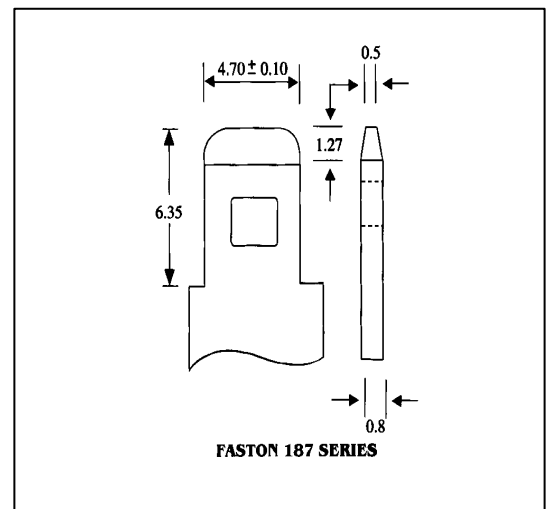
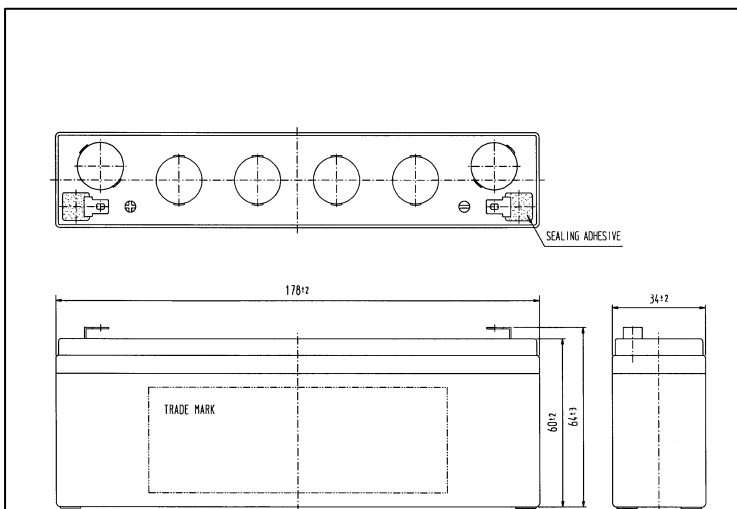
ES2-12

(Notes : VDS certificate)



PHYSICAL SPECIFICATIONS

Nominal Voltage		12V
Nominal Capacity(20HR)		2Ah
Dimensions	Length	178+/-2mm(7.01inches)
	Width	34+/-2mm(1.34inches)
	Height	60+/-2mm(2.36inches)
	Total Height	64+/-3mm(2.52inches)
Weight		Approx. 0.91 kg(2.00 lbs)
Standard Terminal		Faston 187 Series

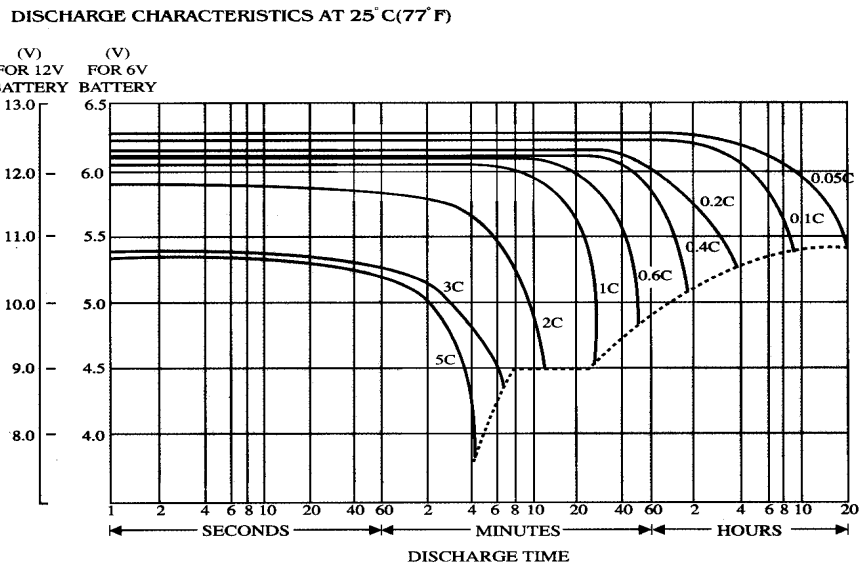


(12V2Ah)

Global & Yuasa Battery Co., Ltd.

ELECTRICAL SPECIFICATIONS

Capacity	20 hour rate(0.1A)	2Ah	Max. Discharge Current(5sec.)	30A
	10 hour rate(0.19A)	1.9Ah		
Capacity affected by temperature	5 hour rate(0.34A)	1.7Ah	Constant-Voltage Charge	Cycle Initial Charging Current less than 0.5A Voltage 14.40~15.00V at 25°C(77°F) Temp. Coefficient :-4mV/°C/cell
	1 hour rate(1.2A)	1.2Ah		
	40°C(104°F)	105%		
Internal Resistance Fully charged battery (25°C, 77°F)	25°C(77°F)	100%	Standby	Initial Charging Current less than 0.5A Voltage 13.50~13.80V at 25°C(77°F) Temp. Coefficient :-3mV/°C/cell
	0°C(32°F)	85%		
	Aprox. 60mΩ			



TEMPERATURE EFFECTS IN RELATION TO BATTERY CAPACITY

