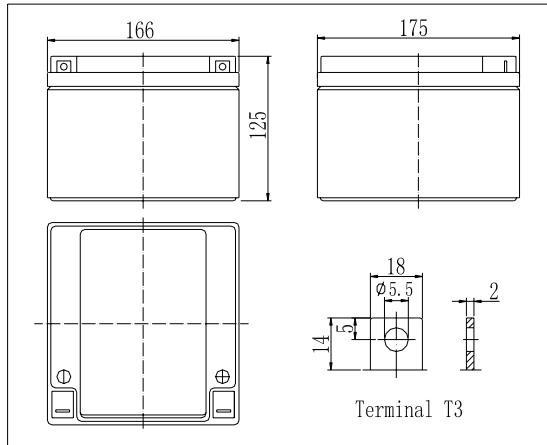


Dimensions

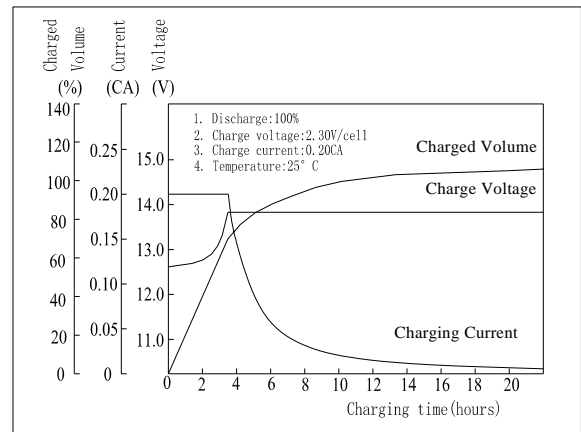


Specifications

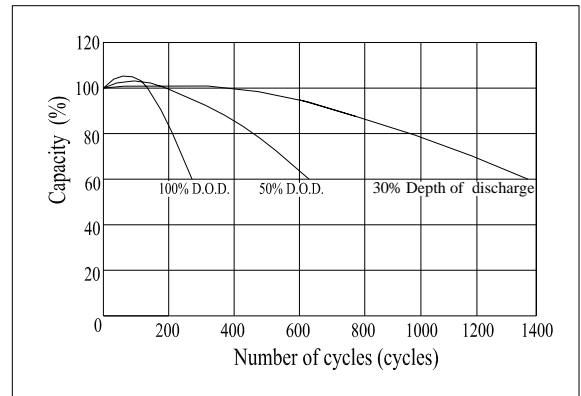
Nominal Voltage	12 V	
Capacity(20HR, 25°C)	28Ah	
Dimension	Length	166mm (6.54inch)
	Width	175mm (6.89inch)
	Height	125mm (4.92inch)
	Total Height	125mm (4.92inch)
Approx. Weight	9.0kg (20.3lbs)	
Internal resistance (Fully charged, 25°C)	Approx. 10mΩ	
Capacity affected by temperature (20HR)	40°C	102%
	25°C	100%
	0°C	85%
	-15°C	65%
Self-discharge (25°C)	3 month	Remaining Capacity: 91%
	6 month	Remaining Capacity: 82%
	12 month	Remaining Capacity: 65%
Nominal operating temperature	25°C ± 3°C (77°F ± 5°F)	
Operating temperature range	-15°C ~ 50°C (5°F ~ 122°F)	
Float charging voltage(25°C)	13.60 to 13.80V	
Cyclic charging voltage(25°C)	14.50 to 14.90V	
Maximum charging current	8.4A	
Terminal material	Copper	
Maximum discharge current	420A(5 sec.)	

- ◆ Absorbent glass mat technology;
- ◆ Recognized by UL & CE;
- ◆ ABS container.

Charging Characteristics(25°C)



Cycle Life(25°C)



Note: Floating life at 20°C designed for 3 to 5 years.

Constant Current Discharge Characteristics (A, 25°C)

F.V/TIME	5min	10min	15min	30min	60min	3h	5h	10h	20h
9.60V	110	69.4	50.5	29.8	19.2	7.11	4.87	2.64	1.42
10.2V	105	65.9	48.5	28.6	18.4	7.00	4.80	2.62	1.41
10.8V	98.4	61.9	46.1	27.2	17.5	6.86	4.70	2.60	1.40

Constant Power Discharge Characteristics (Watt, 25°C)

F.V/TIME	5min	10min	15min	30min	60min	3h	5h	10h	20h
9.60V	1229	782	576	341	222	84.4	58.2	31.7	17.1
10.2V	1168	743	553	328	213	83.2	57.3	31.4	16.9
10.8V	1098	699	525	311	203	81.5	56.2	31.4	16.8