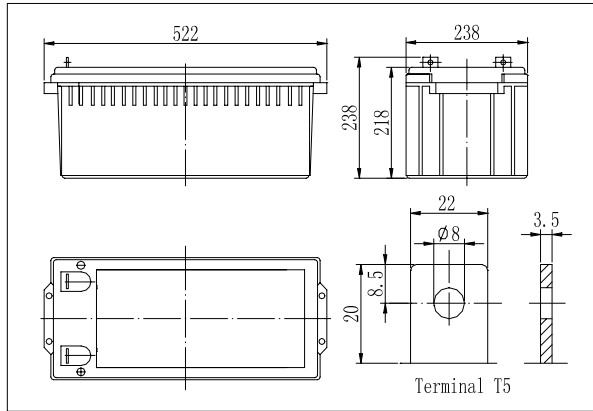
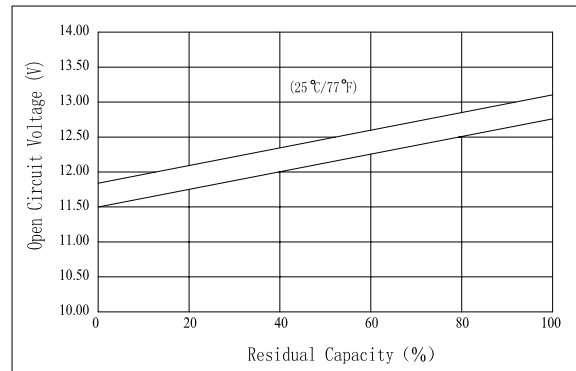


Dimensions



and Residual Capacity (25°C)



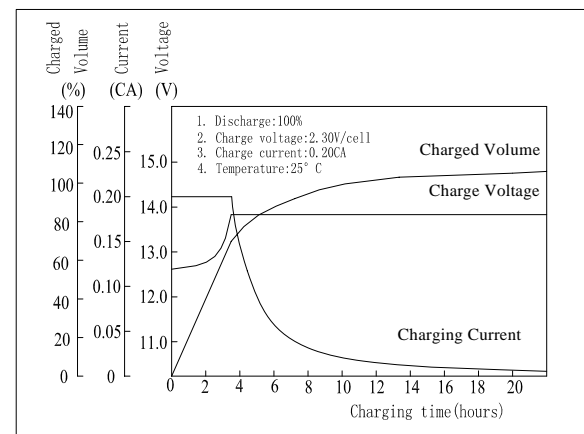
Specifications

Nominal Voltage		12 V
Capacity(10HR, 25°C)		200 Ah
Dimension	Length	522mm (20.55inch)
	Width	238mm (9.37inch)
	Height	218mm (8.58inch)
	Total Height	238mm (9.37inch)
Approx. Weight		66kg (145.5lbs)
Internal resistance (Fully charged, 25°C)		Approx. 3.3mΩ
Capacity affected by temperature (20HR)	40°C	102%
	25°C	100%
	0°C	85%
	-15°C	65%
Self-discharge (25°C)	3 month	Remaining Capacity: 91%
	6 month	Remaining Capacity: 82%
	12 month	Remaining Capacity: 65%
Nominal operating temperature		25°C±3°C(77°F±5°F)
Operating temperature range		-15°C ~ 50°C (5°F ~ 122°F)
Float charging voltage(25°C)		13.50 to 13.80V
Cyclic charging voltage(25°C)		14.10 to 14.40V
Maximum charging current		50A
Terminal material		Copper
Maximum discharge current		1440A(5 sec.)

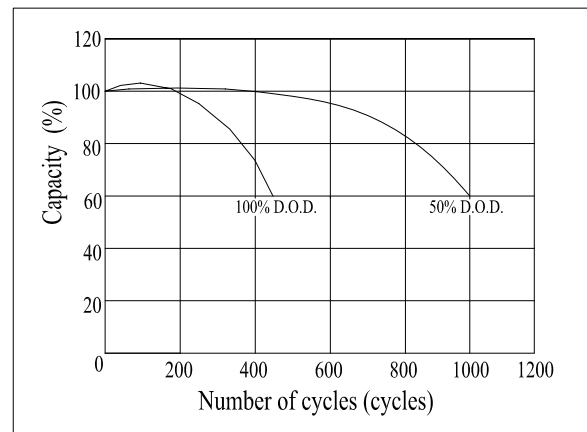
- ◆ Gelled electrolyte technology;
- ◆ AGM separator;
- ◆ Recognized by UL & CE;
- ◆ ABS container.

The Relationship for Open Circuit Voltage

Charging Characteristics(25°C)



Cycle Life (25°C)



Note: Floating life at 20°C designed for 12 years.

Constant Current Discharge Characteristics (A, 25°C)

F.V/TIME	5min	10min	15min	30min	60min	3h	5h	10h	20h
9.60V	432	330	304	196	124	48.7	33.3	20.3	10.5
10.2V	410	314	292	188	119	48.0	32.8	20.1	10.4
10.8V	386	295	277	179	113	47.0	32.1	20.0	10.3

Constant Power Discharge Characteristics (Watt, 25°C)

FirstPower Technology Co., Ltd.

LFP12200G (12V200Ah)

F.V/TIME	5min	10min	15min	30min	60min	3h	5h	10h	20h
9.60V	4536	3564	3338	2199	1414	573	394	242	125
10.2V	4309	3386	3204	2111	1357	564	388	240	124
10.8V	4051	3183	3044	2006	1289	553	380	239	124