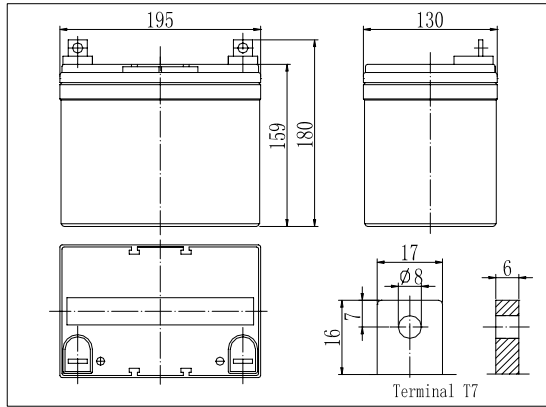


**Dimensions**



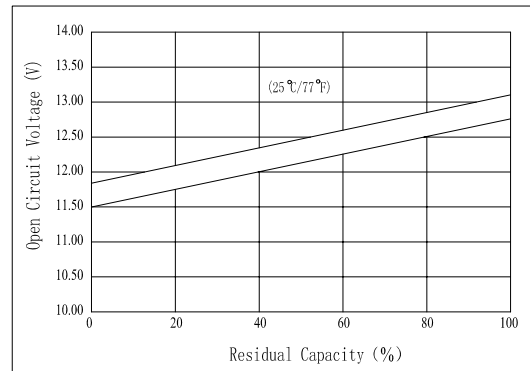
**Specifications**

Nominal Voltage		12 V
Capacity(10HR, 25°C)		33 Ah
Dimension	Length	195mm (7.68inch)
	Width	130mm (5.12inch)
	Height	159mm (6.26inch)
	Total Height	180mm (7.09inch)
Approx. Weight		10.5kg (23.2lbs)
Internal resistance (Fully charged, 25°C)		Approx. 11mΩ
Capacity affected by temperature (10HR)	40°C	102%
	25°C	100%
	0°C	85%
	-15°C	65%
Self-discharge (25°C)	3 month	Remaining Capacity: 91%
	6 month	Remaining Capacity: 82%
	12 month	Remaining Capacity: 65%
Nominal operating temperature		25°C±3°C(77°F±5°F)
Operating temperature range		-15°C ~ 50°C (5°F ~ 122°F )
Float charging voltage(25°C)		13.50 to 13.80V
Cyclic charging voltage(25°C)		14.10 to 14.40V
Maximum charging current		8.25A
Terminal material		Lead
Maximum discharge current		330A(5 sec.)

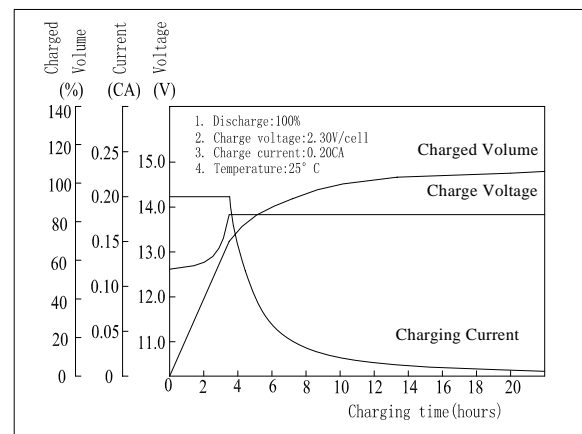
- ◆ Gelled electrolyte technology;
- ◆ AGM separator;
- ◆ Recognized by UL & CE;
- ◆ ABS container.

**The Relationship for Open Circuit Voltage**

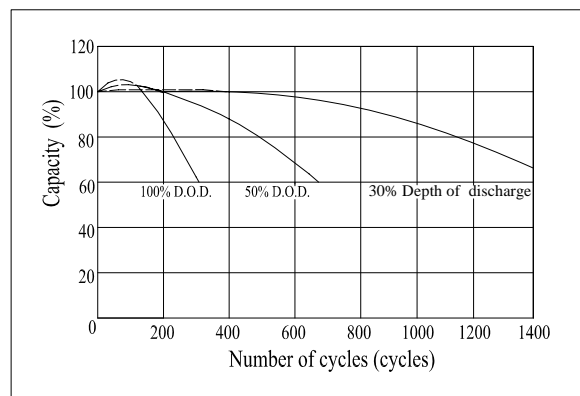
**and Residual Capacity (25°C)**



**Charging Characteristics(25°C)**



**Cycle Life(25°C)**



Note: Floating life at 20°C designed for 12 years.

**Constant Current Discharge Characteristics (A, 25°C)**

F.V/TIME	5min	10min	15min	30min	60min	3h	5h	10h	20h
9.60V	71.3	54.5	50.2	32.3	20.5	8.04	5.49	3.35	1.72
10.2V	67.7	51.7	48.2	31.0	19.6	7.92	5.41	3.32	1.71
10.8V	63.7	48.6	45.7	29.5	18.7	7.76	5.30	3.30	1.70

**Constant Power Discharge Characteristics (Watt, 25°C)**

F.V/TIME	5min	10min	15min	30min	60min	3h	5h	10h	20h
----------	------	-------	-------	-------	-------	----	----	-----	-----

**FirstPower Technology Co., Ltd.**

**LFP1233G (12V33Ah)**

9.60V	748	588	551	363	233	94.5	64.9	40.0	20.7
10.2V	711	559	529	348	224	93.1	64.0	39.6	20.5
10.8V	668	525	502	331	213	91.3	62.7	39.4	20.4

**Note: we can produce other type gelled batteries according with clients requirements.**