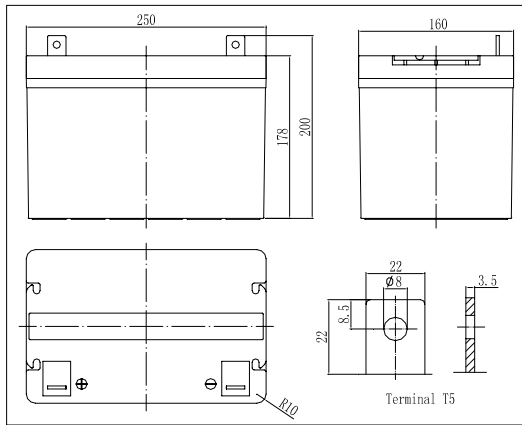
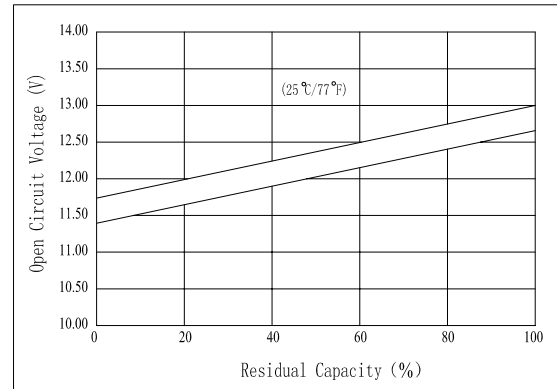


Dimensions



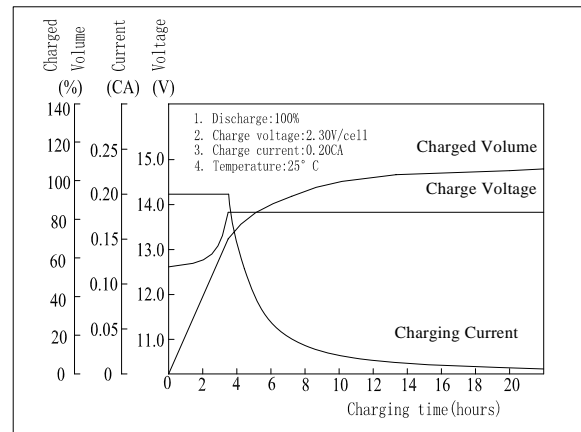
The Relationship for Open Circuit Voltage and Residual Capacity (25°C)



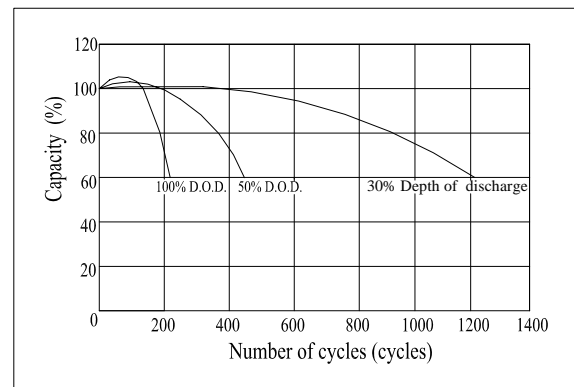
Specifications

| | | |
|---|-----------------------------|-------------------------|
| Nominal Voltage | 12 V | |
| Capacity(10HR, 25°C) | 60Ah | |
| Dimension | Length | 250mm (9.84inch) |
| | Width | 160mm (6.30inch) |
| | Height | 178mm (7.01inch) |
| | Total Height | 200mm (7.87inch) |
| Approx. Weight | 19.5kg 43.0lbs) | |
| Internal resistance (Fully charged, 25°C) | Approx. 5.7m Ω | |
| Capacity affected by temperature (10HR) | 40°C | 102% |
| | 25°C | 100% |
| | 0°C | 85% |
| | -15°C | 65% |
| Self-discharge (25°C) | 3 month | Remaining Capacity: 91% |
| | 6 month | Remaining Capacity: 82% |
| | 12 month | Remaining Capacity: 65% |
| Nominal operating temperature | 25°C ± 3°C (77°F ± 5°F) | |
| Operating temperature range | -15°C ~ 50°C (5°F ~ 122°F) | |
| Float charging voltage(25°C) | 13.50 to 13.80V | |
| Cyclic charging voltage(25°C) | 14.50 to 14.90V | |
| Maximum charging current | 18A | |
| Terminal material | Copper | |
| Maximum discharge current | 600A(5 sec.) | |

Charging Characteristics(25°C)



Cycle Life(25°C)



Note: Floating life at 20°C designed for 7 to 10 years.

- ◆ Absorbent glass mat technology;
- ◆ Recognized by UL & CE;
- ◆ ABS container.

Constant Current Discharge Characteristics (A, 25°C)

| F.V/TIME | 5min | 10min | 15min | 30min | 60min | 3h | 5h | 10h | 20h |
|----------|------|-------|-------|-------|-------|------|------|------|------|
| 9.60V | 189 | 126 | 99.0 | 62.4 | 37.8 | 15.5 | 11.0 | 6.09 | 3.20 |
| 10.2V | 180 | 120 | 95.0 | 59.9 | 36.3 | 15.3 | 10.8 | 6.04 | 3.17 |
| 10.8V | 169 | 113 | 90.3 | 56.9 | 34.5 | 15.0 | 10.6 | 6.00 | 3.15 |

Constant Power Discharge Characteristics (Watt, 25°C)

| F.V/TIME | 5min | 10min | 15min | 30min | 60min | 3h | 5h | 10h | 20h |
|----------|------|-------|-------|-------|-------|-----|-----|------|------|
| 9.60V | 1985 | 1361 | 1087 | 700 | 431 | 183 | 130 | 72.7 | 38.4 |
| 10.2V | 1885 | 1293 | 1044 | 672 | 414 | 180 | 128 | 72.1 | 38.0 |
| 10.8V | 1772 | 1215 | 991 | 639 | 393 | 176 | 125 | 72.1 | 37.8 |